



# 180 S 280 S

Reservdelar  
Spare parts  
Ersatzteile  
Pièces de rechange

Utgåva **D** 10 12 372-96 H  
Edition  
Ausgabe 5. 10-74

Flik  
Sheet No.  
Register  
Index

4

| Bild-nr  | Beställn-nummer | Anm   |
|----------|-----------------|---|
| Fig. No  | Part number     | Remarks   |
| Abb Nr   | Best. Nr        | Anm.  |
| Fig. No. | No de commande  | Notes   |
| 1        | 254 61 18-14    | 8x3/8<br>7x3/8<br>For 8x3/8                         |
| 3        | 501 27 50-01    |   |
| 4        | 501 20 87-01    |   |
| 5        | 501 27 78-01    |   |
| 6        | 501 20 40-01    |   |
|          | 501 25 59-01    |   |
| 7        | 501 20 51-01    |   |
| 8        | 501 27 74-01    |   |
| 9        | 501 27 36-01    |   |
| 10       | 299 51 55-01    |   |
| 11       | 501 27 31-01    |   |
| 12       | 296 52 59-16    |   |
| 14       | 501 41 48-01    |   |
| 15       | 501 24 81-01    |   |
| 16       | 289 52 05-01    |   |
| 17       | 501 15 43-01    |   |
| 18       | 501 22 68-01    |   |
| 19       | 501 28 86-01    |   |
| 20       | 501 27 48-01    |   |
| 21       | 206 22 96-52    |   |
| 22       | 501 21 22-01    |   |
| 24       | 202 43 37-55    |   |
| 25       | 288 81 70-01    |   |
| 26       | 202 43 39-55    |   |
| 29       | 501 21 27-01    |   |
| 30       | 501 21 67-01    |   |
| 31       | 297 04 70-02    |   |
| 32       | 501 27 92-01    |   |
| 33       | 200 63 82-42    |   |
| 34       | 501 22 43-01    |   |
| 35       | 501 24 82-01    |   |
| 36       | 501 27 89-01    |   |
| 37       | 501 27 37-01    |   |
| 38       | 501 27 38-04    |   |
| 39       | 501 27 13-01    |   |
| 40       | 202 43 35-55    |   |
| 42       | 501 25 02-01    |   |
| 43       | 501 28 62-01    |   |
| 44       | 501 46 24-01    |   |
| 45       | 501 28 93-01    |   |
| 46       | 501 48 47-01    |   |
| 47       | 501 05 64-01    |   |
| 48       | 501 25 04-02    |   |
|          | 501 25 04-03    |   |
|          | 501 25 04-04    |   |
|          | 501 25 04-05    |   |
|          | 501 25 04-06    |   |
| 49       | 501 28 44-01    |   |
| 50       | 501 15 28-01    |   |
| 51       | 501 28 65-01    |   |
| 52       | 293 11 95-04    |   |
| 53       | 501 22 62-02    |   |
| 54       | 501 25 21-01    |   |
| 55       | 501 40 74-01    |   |
| 56       | 284 71 70-01    |   |
| 57       | 202 43 29-55,   |   |
| 58       | 501 21 66-02    |   |
|          | 501 21 66-04    |   |
|          |                 | Class A<br>Class B<br>Class C<br>Class D<br>Class E |
|          |                 | Champ<br>CJ 7 Y<br>Bosch WKA<br>225 T 36            |
| 59       | 204 13 13-09    |   |
| 60       | 501 28 69-01    |   |
| 61       | 501 28 73-01    |   |
| 62       | 501 28 47-01    |   |
| 63       | 501 27 63-01    |   |
| 64       | 202 63 27-54    |   |
| 65       | 501 27 07-01    |   |
| 66       | 290 12 30-01    |   |
| 67       | 501 25 10-01    |   |
| 68       | 501 28 59-01    |   |
| 69       | 501 28 58-01    |   |
| 70       | 501 27 12-01    |   |

| Bild-nr  | Beställn-nummer |  |
|----------|-----------------|--|
| Fig. No  | Part number     | Remarks  |
| Abb Nr   | Best. Nr        | Anm.   |
| Fig. No. | Node commande   |  |
| 71+80    | 501 28 54-01    | Std.<br>Exp.                                   |
| 72       | 501 41 75-01    |  |
| 73       | 501 25 09-01    |  |
| 75       | 501 44 46-01    |  |
| 76       | 501 41 42-01    |  |
| 79       | 501 28 56-01    |  |
|          | 501 28 56-03    |  |
| 80       | 204 51 60-52    |  |
| 81       | 258 11 32-54    |  |
| 82       | 501 40 51-01    |  |
| 86       | 501 27 62-01    | N  |
| 88       | 501 43 00-01    |  |
| 91       | 501 42 30-01    |  |
| 92       | 501 27 82-01    |  |
| 93       | 501 43 14-01    |  |
| 94       | 202 43 29-55    |  |
| 95       | 501 43 13-01    |  |
| 96       | 501 42 66-01    |  |
| 97       | 501 48 55-01    |  |
| 100      | 501 41 02-01    |  |
| 105      | 501 48 56-01    | N  |
| 107      | 202 63 33-54    |  |
| 108      | 501 41 31-01    |  |
| 109      | 501 27 99-01    |  |
| 110      | 501 43 88-01    |  |
| 112      | 501 28 28-01    |  |
| 114      | 206 33 27-52    |  |
| 115      | 501 20 17-01    |  |
| 116      | 501 41 09-01    |  |
| 117      | 501 20 10-02    |  |
| 118      | 501 20 13-01    | N<br>N<br>N<br>N<br>N<br>N<br>N<br>N<br>N<br>N |
| 119      | 501 27 83-01    |  |
| 120      | 501 44 01-01    |  |
| 123      | 501 25 79-01    |  |
| 124      | 501 26 49-01    |  |
| 125      | 501 21 81-01    |  |
| 127      | 501 44 02-01    |  |
| 128      | 230 41 52-01    |  |
| 129      | 501 27 54-01    |  |
| 138      | 205 62 58-56    |  |
| 139      | 206 23 70-12    | N<br>N<br>N                                    |
| 140      | 501 26 84-01    |  |
| 141      | 501 26 83-01    |  |
| 142      | 258 01 42-01    |  |
| 143      | 287 00 49-01    |  |
| 144      | 501 28 35-01    |  |
| 145      | 501 27 04-01    |  |
| 146      | 206 33 28-11    |  |
| 147      | 258 11 31-52    |  |
| 149      | 122 72 07-01    |  |
| 150      | 161 41 22-01    | pr. m.<br>pr. m.                               |
| 151      | 501 28 14-10    |  |
| 152      | 112 70 43-02    |  |
| 153      | 511 35 10-01    |  |
| 154      | 501 40 88-01    |  |
| 160      | 202 43 37-55    |  |
| 161      | 281 61 82-01    |  |
| 162      | 202 43 35-55    |  |
| 163      | 501 42 36-01    |  |
| 164      | 282 53 77-07    |  |
| 165      | 501 44 71-01    |  |
| 166      | 250 93 14-41    |  |
| 167      | 501 42 37-01    |  |
| *        | 501 42 35-01    |  |
| 168      | 231 42 05-42    | Kpl.   |
| 169      | 501 43 72-01    |  |
| 170      | 501 42 40-01    |  |
| 171      | 282 51 95-07    |  |
| 172      | 501 42 41-01    |  |
| 173      | 501 42 29-01    |  |
| 174      | 501 42 49-01    |  |
| 180      | 501 29 22-02    |  |

| Bild-nr  | Beställn-nummer | Anm     |
|----------|-----------------|---------|
| Fig. No  | Part number     | Remarks |
| Abb Nr   | Best. Nr        | Anm     |
| Fig. No. | No de commande  | Notes   |
|          | 501 44 25-01    | Housing |
| 181      | 501 29 38-01    |         |
| 182      | 297 03 65-03    |         |
| 163      | 501 28 41-01    |         |
| 164      | 299 52 95-06    |         |
| 185      | 299 52 95-02    |         |
| 186      | 501 28 40-01    |         |
| 187      | 501 29 37-01    |         |
| 188      | 501 29 39-01    |         |
| 192      | 501 44 42-01    |         |
| 193      | 501 44 41-01    |         |
| 200      | 501 42 70-01    |         |
| 201      | 502 01 22-01    |         |
| 202      | 501 42 69-01    |         |
| 203      | 501 23 88-01    |         |
| 204      | 501 22 15-01    |         |
| 205      | 501 22 14-01    |         |
| 206      | 501 22 13-01    |         |
| 207      | 501 22 12-01    |         |
| 208      | 501 22 24-01    |         |
| 209      | 501 42 71-01    |         |
| 210      | 501 22 30-01    |         |
| 211      | 501 22 29-01    |         |
| 212      | 501 22 00-01    |         |
| 213      | 501 22 03-01    |         |
| 214      | 501 22 01-01    |         |
| 215      | 501 22 23-01    |         |
| 216      | 501 22 25-01    |         |
| 217      | 501 22 20-01    |         |
| 216      | 501 22 08-01    |         |
| 219      | 501 22 09-01    |         |
| 220      | 501 22 10-01    |         |
| 221      | 501 22 11-01    |         |
| 222      | 501 22 05-01    |         |
| 223      | 501 22 04-01    |         |
| 224      | 501 22 02-01    |         |
| 225      | 501 22 21-01    |         |
| 228      | 501 22 22-01    |         |
| 227      | 501 42 74-01    |         |
| 228      | 501 22 17-01    |         |
| 229      | 501 26 90-01    |         |
| 230      | 501 26 89-01    |         |
| 231      | 501 26 85-01    |         |
| 232      | 501 28 92-01    |         |
| 233      | 501 22 32-01    |         |
| 234      | 501 42 73-01    |         |
| 235      | 501 22 30-01    |         |
| 237      | 501 22 19-01    |         |
| 238      | 501 25 46-01    |         |
| 239      | 501 22 18-01    |         |
| 240      | 501 43 57-01    |         |
| 241      | 281 61 65-01    |         |
| 242      | 280 42 81-01    |         |
| 243      | 206 22 93-01    |         |
| 244      | 501 25 23-01    |         |
| 245      | 501 24 40-01    |         |
| '46+245  | 501 25 56-01    |         |
| 250      | 501 24 90-01    |         |
| 251      | 280 15 75-01    |         |
| 252      | 288 88 10-01    |         |
| 253      | 250 12 69-01    |         |
| 257      | 501 43 61-01    |         |
| 256      | 288 81 40-12    |         |
| 259      | 206 22 22-46    |         |
| 260      | 501 43 59-01    |         |
| 261      | 501 25 24-01    |         |
| 262      | 501 43 60-01    |         |
| 263      | 501 43 58-01    |         |
| 264      | 501 43 63-01    |         |
| 265      | 501 43 65-01    |         |
| 266      | 277 20 21-30    |         |
| 267      | 501 43 67-01    |         |

Packn.sats5012 238-02  
Set of gaskets5012 238-02  
Dichtungssatz5012 236-02  
Jeu de joints 5012238-02

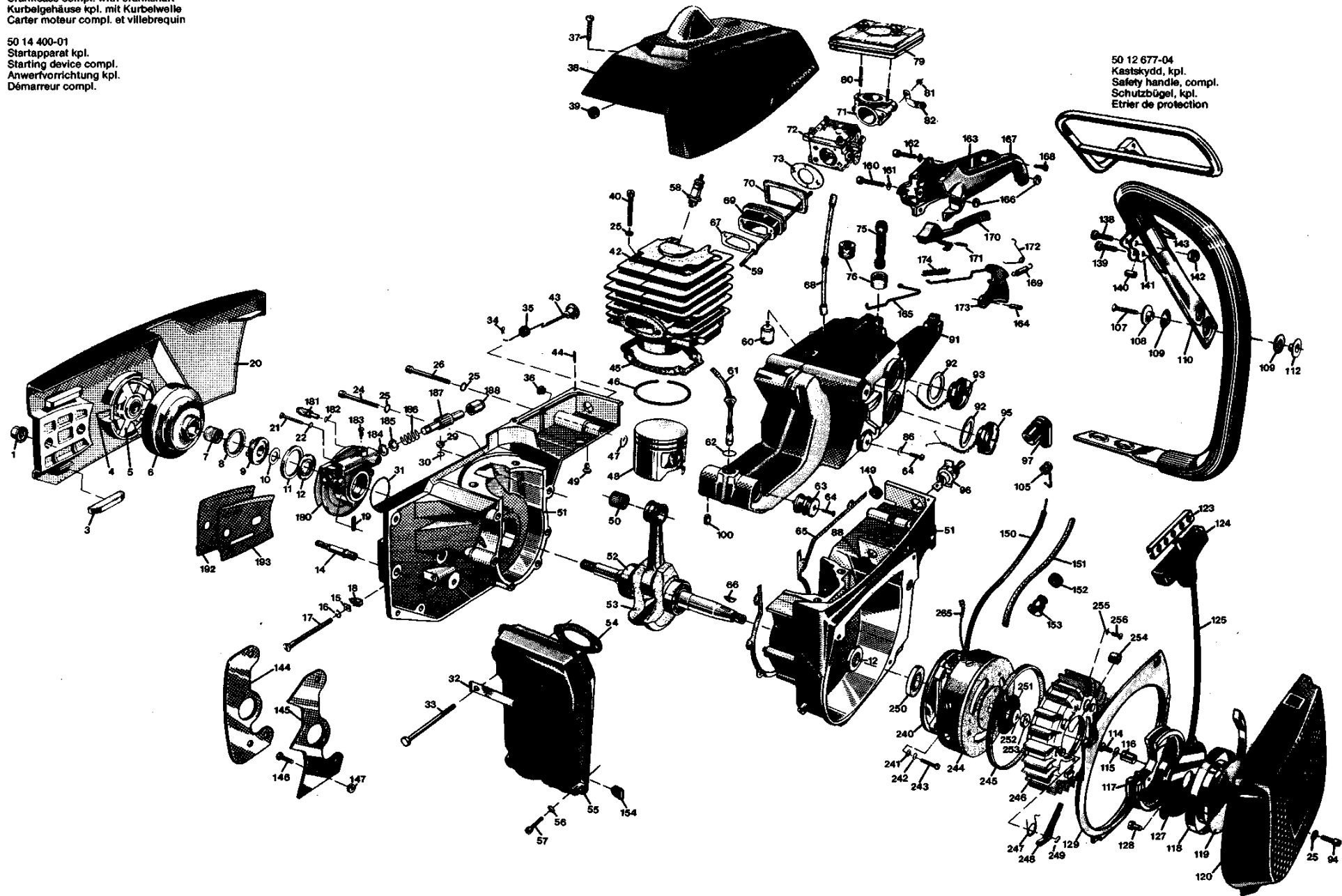
N.  
Ny reservdel  
New spare part  
Neues Ersatzteil  
Nouvelle pièce

1 50 14235-01  
Bakre handtag kpl.  
Rear handle compl.  
Hinterer Handgriff kpl.  
Poignée demère compl.

50 12 867-01  
Vevhus kpl. med vevaxel  
Crankcase compl. with crankshaft  
Kurbelgehäuse kpl. mit Kurbelwelle  
Carter moteur compl. et vilebrequin

50 14 400-01  
Startapparat kpl.  
Starting device compl.  
Anwerfvorrichtung kpl.  
Démarreur compl.

50 12 677-04  
Kastskydd, kpl.  
Safety handle, compl.  
Schutzbügel, kpl.  
Etrier de protection



Förgasare kpl. 50 14 175-01  
Carburettor compl. 50 14 175-01  
Vergaser kpl. 50 14 175-01  
Carburateur compl. 50 14 175-01

